

**CENT-SPC**

The centralizer for your SPC.

- + Stainless steel construction
- + Plastic fins
- + One complete kit for 6-8-10" pipes
- + Different connections available
- + Easy to mount

**CENTRALIZER - DERC CENT-SPC**

To centre the DERC Speed Regulated Pipe Cleaner (SPC-L and SPC-M) within bigger lines DERC Salotech offers a short stainless steel centralizer. This complete kit for three different diameters is easy to adjust to another diameter by switching out the plastic fins.



**SPC TOOLKIT**

The DERC SPC comes with special tool for manual setting of the braking/ speed adjustment



**SPC STORAGE CASE**



**DERC Speed Regulated Pipe Cleaner - SPC**

- + COMPACT AND SHORT DESIGN
- + ADJUSTABLE SPEED
- + STAINLESS STEEL, RUGGED DESIGN
- + MAX. WORKING PRESSURE 1500 BAR



DERC SALOTECH - ORIGINAL EQUIPMENT MANUFACTURER AND SUPPLIER OF INNOVATIVE HIGH PRESSURE WATER JETTING SOLUTIONS, AUTOMATED EQUIPMENT AND ACCESSORIES. WE PROVIDE STATE OF THE ART KNOWLEDGE AND SERVICES.



# DERC Speed Regulated Pipe Cleaner, SPC

DERC Salotech has developed the DERC SpeedRegulated Pipe Cleaner (SPC) for high pressure water jet cleaning of bended pipes. The SPC nozzles are water driven and suitable for working pressures up to 1500 Bar. The SPC's have an easy adjustable rotation speed and are provided with a hardened protection ring. The compact, stainless steel design ensures that this nozzle can unplug, polish or run longer lines without any problem.

The DERC SPC Centralizer makes it possible to centre the DERC SPC, this is protecting the rotating nozzle and for achieving the best cleaning result.

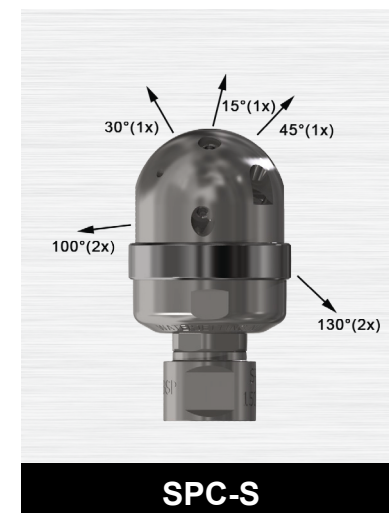
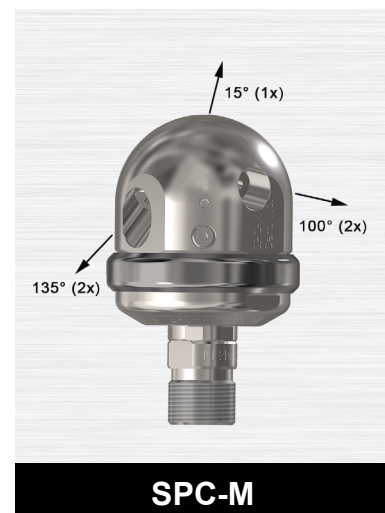
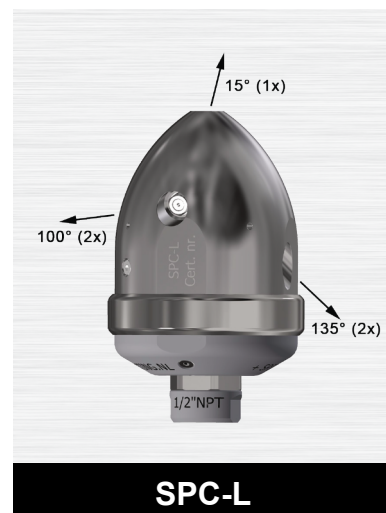
## Features:

- + 2" - 4" - 6" model
- + Compact and short design
- + Adjustable rotation speed by an adjusting nut
- + Long life of high pressure seals
- + Max. working pressure 1500 Bar / 22K



## Three sizes: SPC-L, SPC-M and SPC-S

The rotating speed can be adjusted, depending on the level of deposit. DERC SPC is available in three sizes: SPC-L, SPC-M and SPC-S. The SPC-L is designed and constructed for waterblast cleaning of pipes as small as 6" with elbows and up. The SPC-M is for cleaning 4" pipes. And the SPC-S is made for the same work in pipes as small as 2" with elbows.



## SPC-S

Max. pressure	1000 bar / 15K	1500 bar / 22K
Flow	30 - 50 l/min / 8-13gpm	30 - 50 l/min / 8-13gpm
Inlet connection	1/4" NPT F	1/4" BSP F
		3/8" UNF LHF
		3/8" UNF RHF
		9/16" UNF LHF
		9/16" UNF RHF
Rotation speed	100 - 300 RPM (adjustable)	100 - 300 RPM (adjustable)
Pipe	2" - 4"	2" - 4"
Inserts	M3 (030.xxx)	M3 (030.xxx)
Diameter	Ø 35 mm	Ø 35 mm

## SPC-M

Max. pressure	1000 bar / 15K	1500 bar / 22K
Flow	50 - 115 l/min / 13-30gpm	50 - 100 l/min / 13-26gpm
Inlet connection	3/8" NPT F	M24 x 1.5 DKOS
		3/4" type M
Rotation speed	50-300 RPM (adjustable)	50-300 RPM (adjustable)
Pipe	4"-8"	4"-8"
Inserts	5 x 1/8" NPT (DI 18)	5 x 1/8" NPT (DI 18)
Diameter	Ø 69 mm	Ø 69 mm

## SPC-L

Max. pressure	1000 bar / 15K	1500 bar / 22K
Flow	55 - 210 l/min / 14.5-55.5gpm	50 - 170 l/min / 13-45gpm
Inlet connection	1/2" NPT F M	M24 x 1.5 DKOS
		M36 x 2 DKOS
		9/16" MPF (13/16")
Rotation speed	50 - 300 RPM (adjustable)	50 - 300 RPM (adjustable)
Pipe	6"-12"	6"-12"
Inserts	5 x 1/4" NPT (DSI 14)	5 x 1/4" NPT (DSI 14)
Diameter	Ø 95 mm	Ø 95 mm